

### 4.5mm WTW (EL) Series Connector:



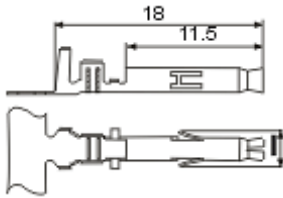
#### SPECIFICATIONS

Pitch: 4.5 mm  
 Useable Wire Range: AWG 26# ~ 16#  
 Current Rating: 10A, AC, DC  
 Voltage Rating: 300V, AC, DC  
 Operating Temperature: -25°C ~ +85°C  
 Relative Humidity: 93%, +40°C  
 Dielectric Withstanding: 1500V AC/minute  
 Contact Resistance: ≤ 10 mΩ/Contact  
 Insulator Resistance: ≥ 1000 MΩ at 100V

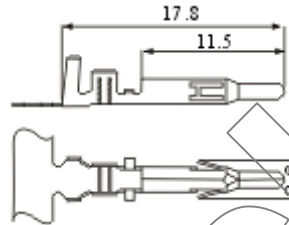
Material:  
 Housing: Nylon66/ Nylon6T, UL94V-0  
 Terminal: Phosphor Bronze

#### ROHS Compliance

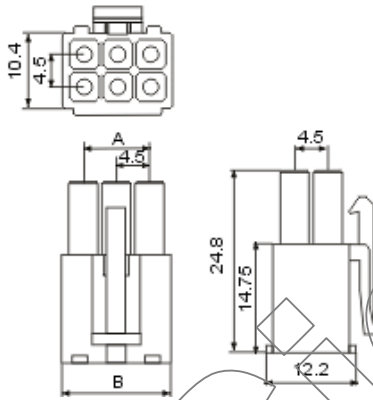
#### EL-R-T



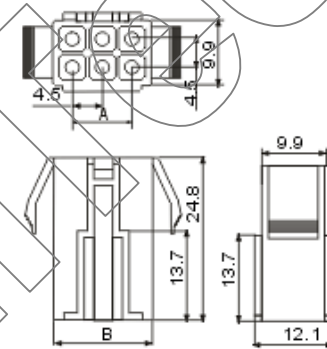
#### EL-P-T



#### EL-XR



#### EL-XP



Circuit	Part No.		Dimensions (mm)	
			A	B
2	EL-2P	EL-2R	4.50	10.30
3	EL-3P	EL-3R	9.00	14.80
4	EL-4P	EL-4R	13.50	19.30
6	EL-6P	EL-6R	9.00	14.80
9	EL-9P	EL-9R	9.00	14.80
12	EL-12P	EL-12R	13.50	19.30
15	EL-15P	EL-15R	18.00	23.80